

Monobolt® Breakstem Riveting System

Structural multi-grip fastener with visible locking feature

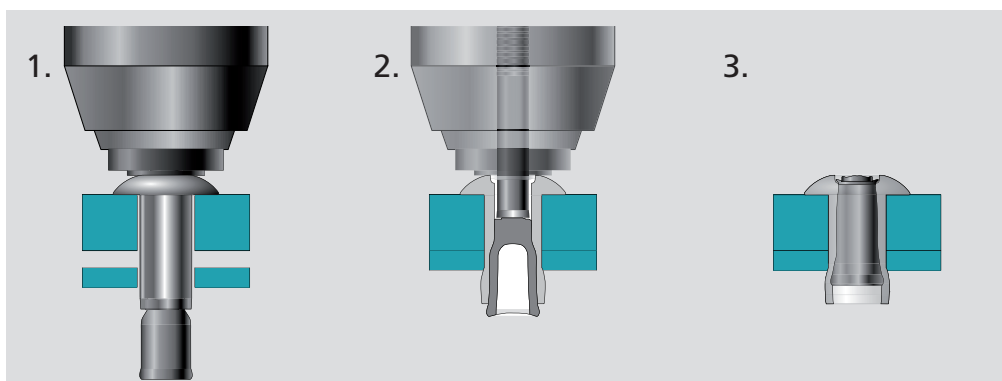
Monobolt multi-grip structural breakstem fasteners providing a fully sealed joint and visible lock. Available in aluminium, steel and stainless steel. Monobolt fasteners are widely used in demanding engineering industries throughout the world, including automotive, commercial vehicles, solar energy, construction, cabinets and enclosures, domestic appliances, heating & ventilation.



Features & Benefits

- Excellent hole fill via radially expanded body provides very strong, vibration resistant joints and compensates for irregular, oversized, slotted or misaligned holes
- Good sheet take-up performance for large gap closing capability
- Stem mechanically locked into body avoids damage, electrical problems or rattling caused by loose stems
- Multi-grip capability
- High shear and tensile strength
- Visible lock for quick and easy inspection

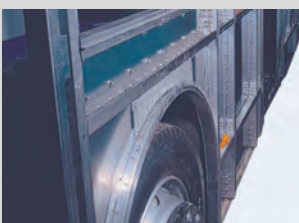
Typical Placing Sequence



1. The Monobolt fastener is located on the tool nose piece and inserted into the prepared hole in the workpiece.
2. On activating the tool, the fastener pulls the materials together and expands to fill the hole.
3. At a pre-determined load, the fastener stem breaks flush with the fastener head, leaving a locked stem.

Please visit our website www.StanleyEngineeredFastening.com for fastener placing animations.

Bus chassis



Solar Energy



Construction



Heating & ventilation



Monobolt® Structural Blind Fastener



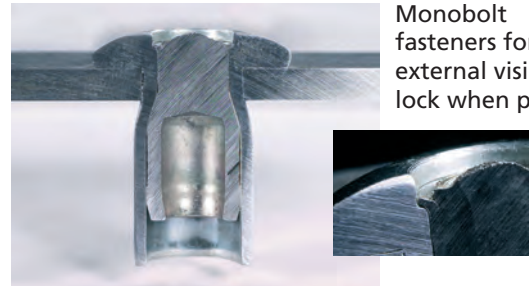
Fastener Specifications

| Product Range | Material | | | | | | Head Style | | Fastener Size (nom) | | | Series No. |
|---------------|-----------|-------|-----------------|-----------|-------|-----------------|-----------------|-------------|---------------------|--------|---------|------------|
| | Body | | Stem | | | | | | | | | |
| | Aluminium | Steel | Stainless Steel | Aluminium | Steel | Stainless Steel | Dome/Protruding | Countersunk | 4.8 mm | 6.4 mm | 10.0 mm | |
| Monobolt® | • | | | • | | | • | | • | • | • | 2774 |
| | • | | | • | | | | • | • | • | • | 2764 |
| | | • | | | • | | • | | • | • | • | 2771 |
| | | • | | | • | | | • | • | • | • | 2761 |
| | | | • | | | • | • | | • | • | • | 2711 |
| | | | A4 | | | A4 | • | | • | • | • | 2717 |
| | | | • | | | • | • | | • | • | • | 2721 |



Product Details

With exceptional shear strength and clamp load Monobolt is designed to deliver the high strength performance required in structural applications.



Monobolt fasteners form an external visible lock when placed

A mechanically locked stem provides high strength, vibration resistant joints in demanding applications without the risk of rattling or loose stems. The external visible lock also permits easy visual inspection to ensure correct installation.

The radially expanded body is capable of filling irregular, oversized, slotted or misaligned holes, whilst providing strong, vibration resistant joints. It can also help control sheet movement in nonstandard holes.

By accommodating wide variations in material thickness, Monobolt fasteners can be used in a variety of applications to reduce assembly time, inventory levels and costs.

Installation Tools



ProSet® PB2500 and PB3400
High speed cordless power tools with excellent ergonomics, great strength and great added features. Ensure high productivity and improve your return on investment with very low installation cost.



ProSet® XT2 and XT3
Versatile lightweight hydro-pneumatic power tools. High force-to-weight ratio and innovative ergonomic design delivers maximum user efficiency and comfort.



7287 Model
Hydro-pneumatic split tool with a lightweight placing head. Extended stroke and pull force. Remote intensifier mounted on castors for flexible use in the assembly line.

For further information, please check our website or contact your local STANLEY Engineered Fastening representative.



STANLEY ENGINEERED FASTENING FAMILY OF BRANDS

